

APS-6RF

6.0 Amp Auxiliary Power Supply for use with Sensiscan 200/2000

Section: Power Supplies/Accessories

GENERAL

The **Fire•Lite APS-6RF** is a state-of-the-art, 150 watt, switching auxiliary power supply providing 24 VDC of filtered DC power. The APS-6RF provides two 24 VDC output circuits, each rated for 3 Amps in alarm and 2 Amps continuous. It is used for the operation of peripheral audible/visual devices (alarm signaling appliances) for the Fire•Lite **Sensiscan 200** (Canadian use) and **Sensiscan 2000** fire alarm control panels.

FEATURES

- Lightweight, compact design.
- "Off-line" switching technology.
- Forward topology.
- Unique design — magnetic flux-sensed converter eliminates need for opto-coupler feedback.
- 120 or 240 VAC (@ 50/60 Hz) field-selectable.
- Wide input voltage range: 90 - 132 VAC, 180 - 264 VAC.
- High efficiency.
- Output circuits with overload protection.
- Built-in "brown-out" circuitry.
- Diagnostic trouble LED.
- Plug-in connector for in cabinet applications and screw terminals for remote device applications.
- Shares battery and charger circuit with control panel.
- Power-limited design, per 1995 UL requirements.
- Surface-mount technology conserves panel space.
- AC Fail supervision with field-selectable delay per UL 864.
- Heavy-duty clamp-type terminals accept up to 12 AWG (3.25 mm²) wire.

CONSTRUCTION AND OPERATION

When used with the CAB-3 Series (CAB-A3F or -B3F), the APS-6RF mounts to a CHS-4F or CHS-4L mounting chassis. If more than one APS-6RF is necessary to satisfy Audible/Visual (DC) power requirements, connect additional APS-6RF power supplies together as described in the Installation Instruction Manual. When used with the Sensiscan 200 (Canadian use), only one APS-6RF may be mounted in the right-most position in the cabinet.

Underwriters Laboratories requires that all Signaling Appliances be approved for use with the selected control system due to voltage operating range criteria. Use only those appliances listed for use with the associated control system. Refer to Fire•Lite *Device Compatibility Document #15384*.



S624



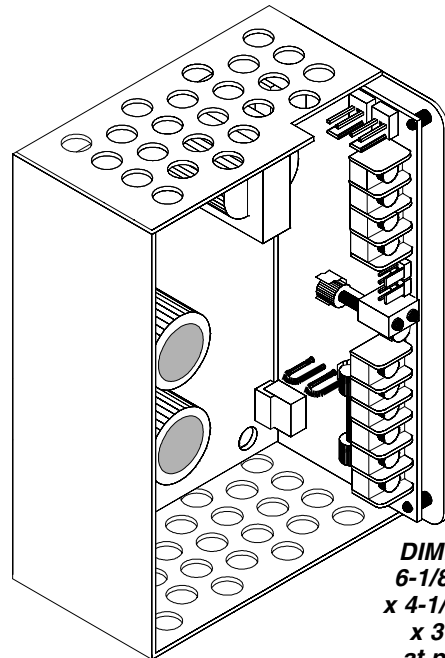
CS68/CS702



California
State Fire
Marshal
7315-0075:183

MEA

195-97-E Vol. II



DIMENSIONS (mm):
6-1/8" (155.575) high
x 4-1/4" (114.300) wide
x 3" (76.200) deep
at protruding edge,
2-1/4" (57.150) deep
at box edge
on opposite side.

SPECIFICATIONS

Compatible with: Sensiscan 200 and 2000 fire alarm control panels.

ELECTRICAL SPECIFICATIONS

AC primary input power (TB1): 120 VAC: 120 VAC, 60 Hz, 2.5 A. **240 VAC (cut JP1):** 240 VAC, 50 Hz, 1.2 A.

DC secondary input power (TB3): TB3-1 (+), TB3-2 (-).

24 VDC output power (TB2): Total 6 A (4 A continuous).

Circuit 1 (TB2-1, TB2-2; or J1): 3 A @ 24 VDC power-limited. **Circuit 2 (TB2-3, TB2-4; or J2):** 3 A @ 24 VDC power-limited.

Fuses: F1 (AC supervision): 250 VAC, 4 A, 3 AG. **F2 (battery supervision):** 32 VAC, 10 A, 3 AG.

Trouble supervision bus: J3 output: Form-A contact (open collector). **J4 input:** Form-A contact (open collector). **NOTE:** J3 and J4 can be interchanged.

Loss of AC indication: Immediate indication (default); 8-hour delay (cut JP2); 16-hour delay (cut JP2 and JP3).

This document is not intended to be used for installation purposes. We try to keep our product information up-to-date and accurate. We cannot cover all specific applications or anticipate all requirements. All specifications are subject to change without notice. For more information, contact **Fire•Lite**. Phone: (203) 484-7161 FAX: (203) 484-7118



One Fire-Lite Place, Northford, Connecticut 06472

ISO-9001
 Engineering and Manufacturing
 Quality System Certified to
 International Standard ISO-9001



Made in the U.S.A.

MECHANICAL SPECIFICATIONS. The APS-6RF in its enclosure measures approximately 6" x 4".

CABINETS FOR MOUNTING

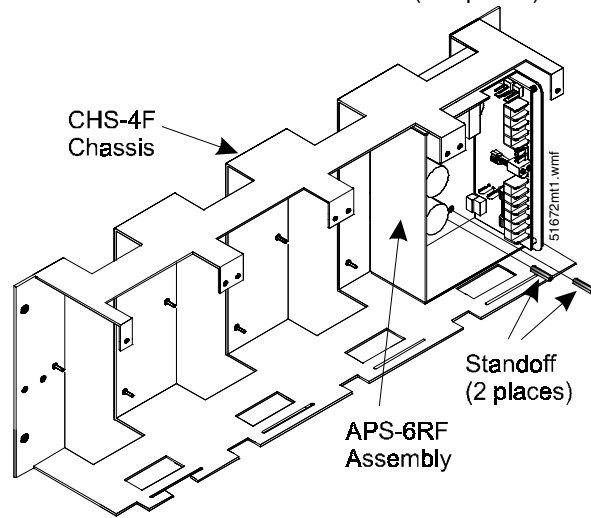
CAB-X3F Series, using CHS-4F and CHS-4L chassis, for Sensiscan 2000 control panels.

Sensiscan 200 can mount one APS-6RF if the face module expansion card (such as an ICE-4F) is not installed.

PRODUCT LINE INFORMATION

Model	Description
APS-6RF	24-volt, filtered power supply (120/220 VAC input).
A77-716B	12/24 VDC end-of-line relay.
CHS-4F	Four-module chassis.
CHS-4L	Four-module chassis (low-profile).

Mounting the APS-6RF to the CHS-4 Chassis



LED STATUS INDICATORS:
 Green LED — Indicates AC power ON.
 Yellow LED — Indicates loss of AC or battery.

TROUBLE IN (J4) and TROUBLE OUT (J3) "P" style connectors for internal cabinet connections.

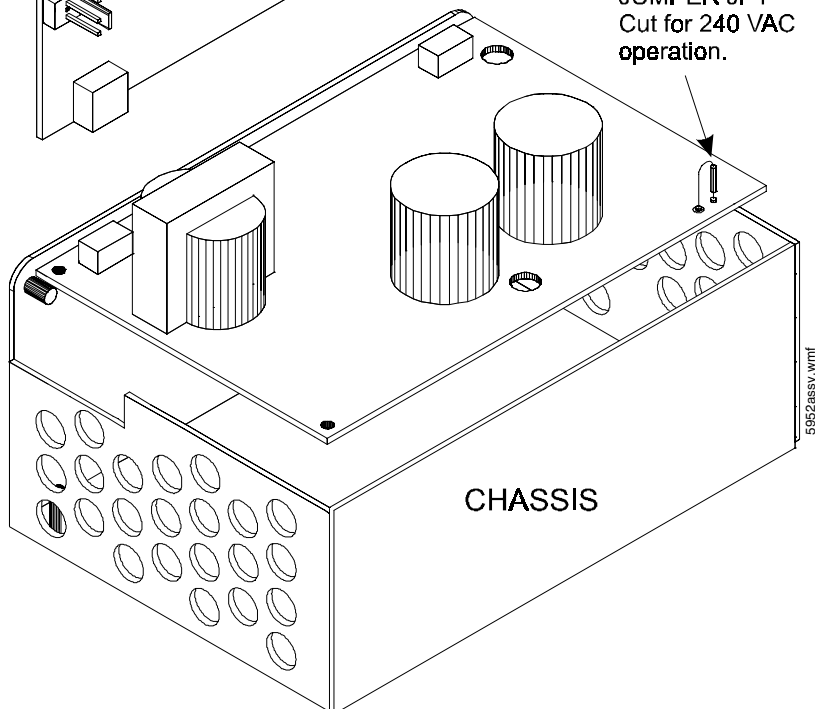
F2 FUSE for battery protection

F1 FUSE for AC protection

Two 24 VDC OUTPUT CIRCUITS

JUMPERS JP2 and JP3 for selecting 8-hour or 16-hour delay for AC loss reporting. (Default is immediate.)

JUMPER JP1 — Cut for 240 VAC operation.



APS-6RF Assembly