



December 28, 2004

DN-5952 • E-121

APS-6R 6.0 Amp Auxiliary Power Supply

Section: Power Supplies

GENERAL

The APS-6R is a state-of-the-art, 150 watt, switching auxiliary power supply providing 24 VDC of filtered DC power. The APS-6R provides two 24 VDC output circuits, each rated for 3.0 Amps in alarm and 2.0 Amps continuous. It is used for the operation of peripheral audible/visual devices (alarm signaling appliances) for the NOTIFIER AM2020, AFP1010, NFS-3030, NFS-640, AFC-600, AFP-400, AFP-300, AFP-200, System 5000, and System 500 control panels.

FEATURES

- Lightweight, compact design.
- "Off-line" switching technology.
- Forward topology.
- Unique design — magnetic flux-sensed converter eliminates need for opto-coupler feedback.
- 120 or 240 VAC (@ 50/60 Hz) field-selectable.
- Wide input voltage range: 90 – 132 VAC, 180 – 264 VAC.
- High efficiency.
- Output circuits with overload protection.
- Built-in "brown-out" circuitry.
- Diagnostic trouble LED.
- Plug-in connector for in cabinet applications and screw terminals for remote device applications.
- Shares battery and charger circuit with control panel.
- Power-limited design, per UL requirements.
- Surface-mount technology conserves panel space.
- AC Fail supervision with field-selectable delay per UL 864.
- Heavy-duty clamp-type terminals accept up to 12 AWG (3.1 mm²) wire.

CONSTRUCTION AND OPERATION

When used with the CAB-3 or CAB-4 Series (CAB-A3/-A4, -B3/-B4, -C3/-C4, or -D3/-D4), the APS-6R mounts to a CHS-4 or CHS-4L mounting chassis. If more than one APS-6R is necessary to satisfy Audible/Visual (DC) power requirements, connect additional APS-6R power supplies together as described in the Installation Instruction Manual. When used with the AFP-200, the APS-6R mounts in the lower portion of the cabinet where batteries would normally mount (*BB-17 required*). When used with the System 500, only one APS-6R may be mounted in the right-most position in the cabinet.

Underwriters Laboratories requires that all Signaling Appliances be approved for use with the selected control system due to voltage operating range criteria. Use only those appliances listed for use with the associated control system. Refer to *Device Compatibility Document #15378*.

SPECIFICATIONS

Compatible with: AM2020, AFP1010, NFS-3030, NFS-640, AFC-600, AFP-400, AFP-300, AFP-200, System 5000, and System 500 control panels.



California State Fire Marshal
7315-0028:190

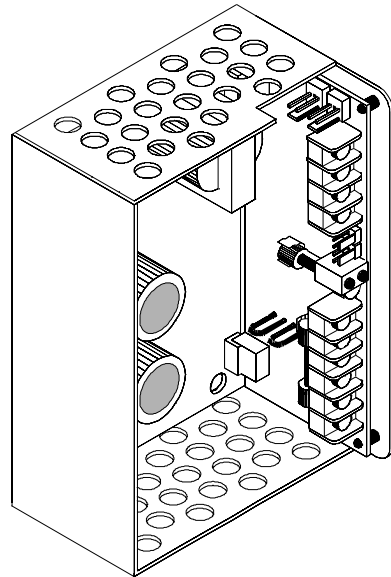
MEA

195-97-E Vol. II
447-99-E (AFC-600)



APPROVED

(AFP-200, AFP-300/-400, AFC-600, NFS-640, AFP1010, AM2020, NFS-3030, System 500, System 5000)



DIMENSIONS (cm):
6.125" (15.558) high
x 4.25" (11.43) wide
x 3.0" (7.62) deep
at protruding edge,
2.25" (5.715) deep
at box edge on
opposite side.

ELECTRICAL SPECIFICATIONS

AC primary input power (TB1): 120 VAC: 120 VAC, 60 Hz, 2.5 A. **240 VAC (cut JP1):** 240 VAC, 50 Hz, 1.2 A.

DC secondary input power (TB3): TB3-1 (+), TB3-2 (-).

24 VDC output power (TB2): Total 6.0 A (4.0 A continuous).

Circuit 1 (TB2-1, TB2-2; or J1): 3.0 A @ 24 VDC power-limited. **Circuit 2 (TB2-3, TB2-4; or J2):** 3.0 A @ 24 VDC power-limited.

Fuses: F1 (AC supervision): 250 VAC, 4.0 A, 3 AG. **F2 (battery supervision):** 32 VAC, 10.0 A, 3 AG.

Trouble supervision bus: J3 output: Form-A contact (open collector). **J4 input:** Form-A contact (open collector). **NOTE:** J3 and J4 can be interchanged.

Loss of AC indication: Immediate indication (default); 8-hour delay (cut JP2); 16-hour delay (cut JP2 and JP3).

NOTIFIER® is a Honeywell company.

This document is not intended to be used for installation purposes. We try to keep our product information up-to-date and accurate. We cannot cover all specific applications or anticipate all requirements. All specifications are subject to change without notice. For more information, contact NOTIFIER. Phone: (203) 484-7161 FAX: (203) 484-7118



NOTIFIER®

12 Clintonville Road, Northford, Connecticut 06472

ISO 9001
CERTIFIED
ENGINEERING & MANUFACTURING
QUALITY SYSTEMS



Made in the U.S.A.

MECHANICAL SPECIFICATIONS

The APS-6R in its enclosure measures approximately 6" (15.24 cm) x 4" (10.16 cm).

CABINETS FOR MOUNTING

CAB-3/CAB-4 Series, using CHS-4 and CHS-4L chassis, for AM2020, AFP1010, NFS-3030, NFS-640, AFC-600, AFP-400, AFP-300, and System 5000 control panels.

System 500 can mount one APS-6R if the face module expansion card (such as an ICE-4) is not installed.

CAB-400AA for AFP-300 and AFP-400 control panels. Mount up to one APS-6R. An option module, without expansion card, is allowed.

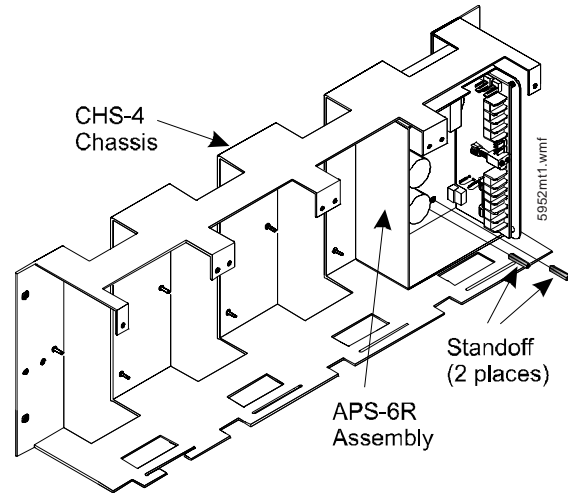
AFP-200 backbox. Mount up to one APS-6R in the lower position of the box (where batteries mount). A BB-17 battery box is required.

CAB-600AA for the AFC-600 control panel mounts one APS-6R. An option module, without extension card, is allowed.

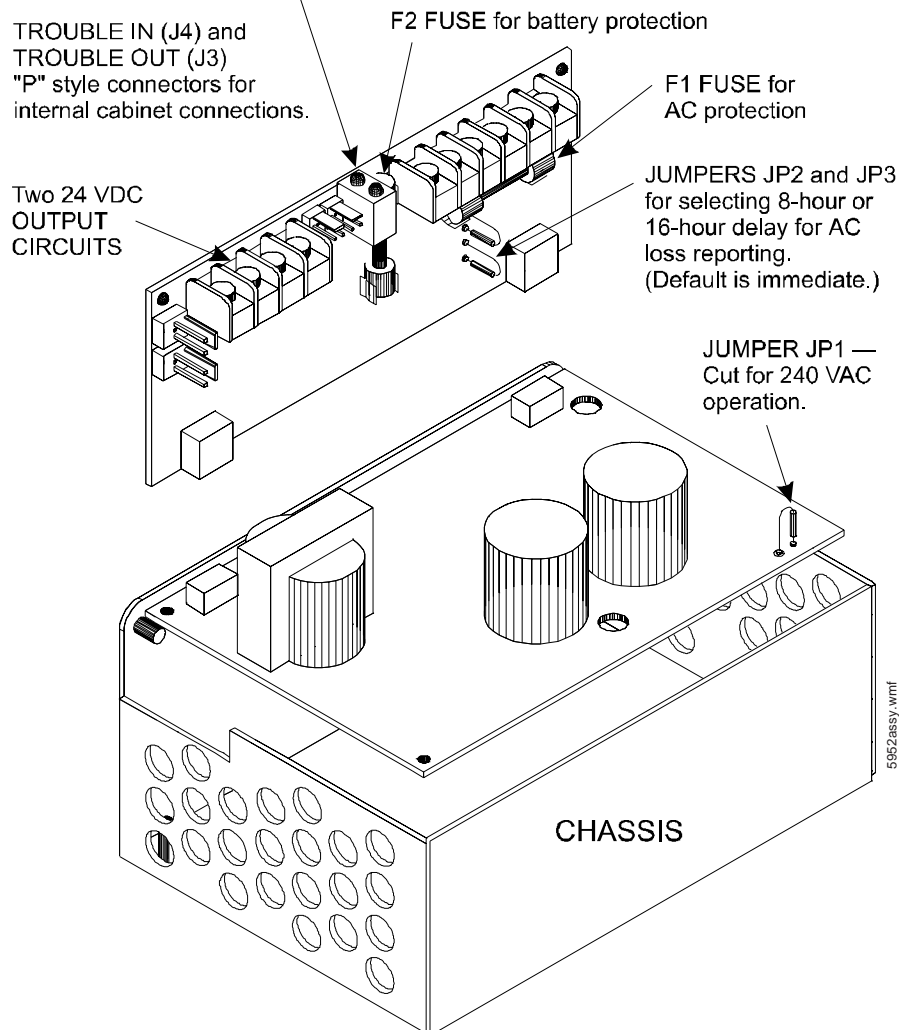
PRODUCT LINE INFORMATION

APS-6R	24-volt, filtered power supply (120/220 VAC input).
A77-716B	12/24 VDC end-of-line relay.
CHS-4	Four-module chassis.
CHS-4L	Four-module chassis (low-profile).

Mounting the APS-6R to the CHS-4 Chassis



LED STATUS INDICATORS:
 Green LED — Indicates AC power ON.
 Yellow LED — Indicates loss of AC or battery.



APS-6R Assembly